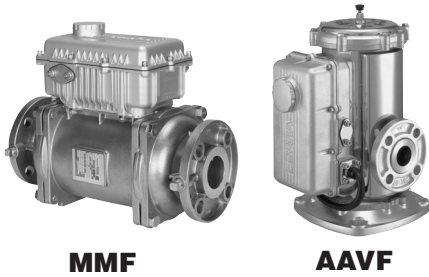


# BARRELLED MOTOR PUMPS - HzFree

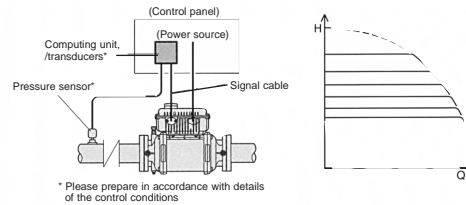
# MMF & AAVF



- ✓ Energy saving
- ✓ Space saving
- ✓ Non-leakage

**1 Inverted Installed - Energy Saving Space Efficient**

[example of use] Constant pressure control



**2 Barreled Motor - Space Saving Noise Reduction**

The term "barreled motor" refers to the placement of the motor inside the barrel, which will bring various features of the Hzfree pump.

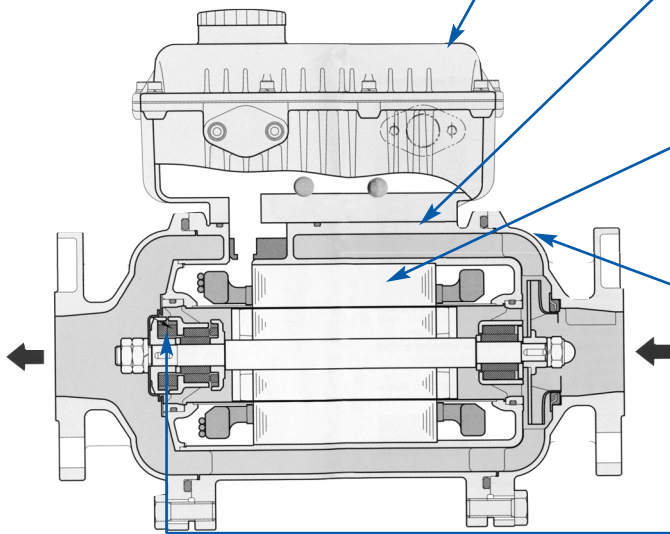
**3 Canned Motor - Non leakage Low Maintenance**

No shaft seal (without grand packing, mechanical seal) means no worries about leakage of liquid.

**4 Stainless Steel - Cleanliness**

SCS (Stainless steel casting) is used for the casing and barreled motor parts.

**5 High-endurance SiC bearing - Low Maintenance**



## SELECTION CHART

