



EBARA PUMP Booster System

Type UE- Mini

Uniquely EBARA Variable Speed Booster System

Custom built for ideal water supply system...

APPLICATION

- Water supply for villa, school, hotel, hospital, rest house and highrise buildings.
- Industrial water boosting.
- Municipal water supply.
- Irrigation.
- General pressure boosting application.

SPECIFICATIONS

- 0.75 to 2.2kw, 1PH / 230v / 50Hz input
- V/F control
- Pressure control function
- Option : 3PH/415V/50Hz



EBARA Micro-Processor Inverter Controller Unit

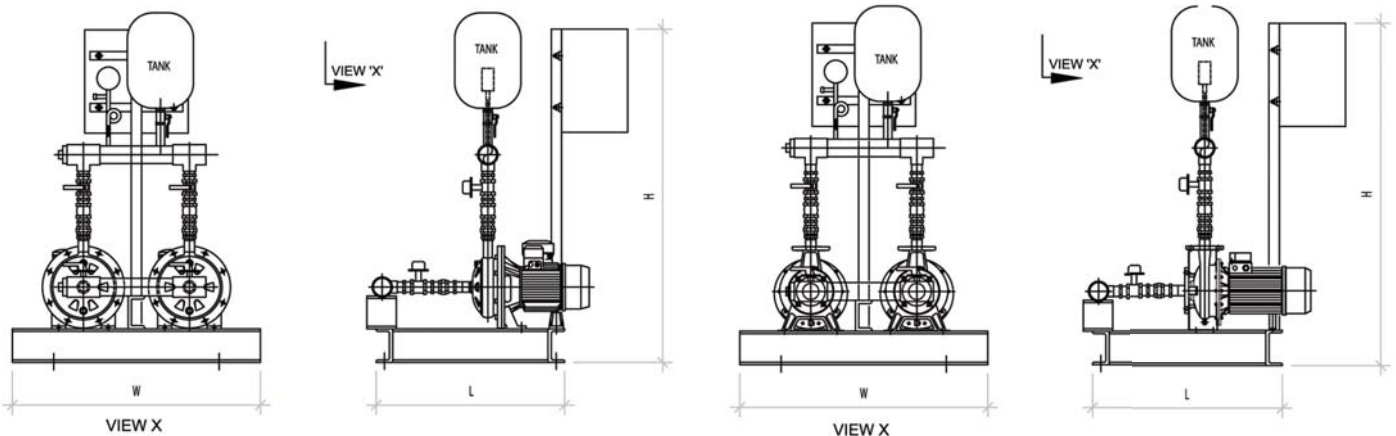
FEATURE / BENEFIT

- Constant Pressure : PID controller with integrally built-in VFD inverter is capable of adjusting water pressure automatically to meet actual demand, at all the time.
- Energy saving : The use of inverter make energy saving possible.
- Compact design : Space saving and light weight,thus permit easily installation.
- No water surge : Prevent water hammering as the speed is adjusted by varying RPM due to the use of inverter.
- Simple to use : User-friendly controller unit accept minimum setting data for optional operation.

KEY FUNCTIONS

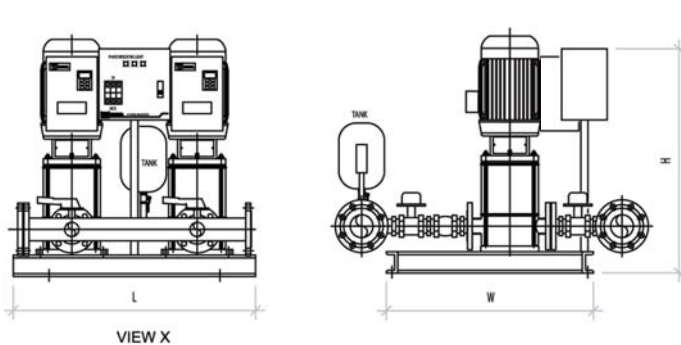
- Duty pressure point setting : Ensure constant pressure operation.
- Fully automatic operation : Suitable for most pressure boosting requirement.
- Faulty pump skip function : No interruption operation, at all time.
- Automatic Re-start : Storage of operational data even during sudden or unexpected power failure situation, ensure auto-start when power supply resumed.
- Dry running protection : Protection of pump unit during low water level or no-flow condition.
- Simple data display : Display operating data and provide alarm data where applicable.

DIMENSION



TYPE : 2UEM-CDX

TYPE : 2UEM-3M



TYPE : 2UEM-EVM

DIMENSION	L	H	W	TANK
MODEL	mm	mm	mm	LITER
2UEM-CDX	600	1030	460	8

DIMENSION	L	H	W	TANK
MODEL	mm	mm	mm	LITER
2UEM-EVM 2	600	1030	460	8
2UEM-EVM 4	600	1030	460	8
2UEM-EVM 8	830	1030	910	18
2UEM-EVM 16	830	1030	910	18
2UEM-EVM 30	1420	1030	910	24
2UEM-EVM 60	1575	1030	1200	24

*All specifications are subject to change without prior notice.



EBARA Pumps Malaysia Sdn Bhd
 No.6, Jalan TP3, UEP Subang Jaya Industrial Park,
 47620 Subang Jaya, Selangor, Malaysia.
 Tel : 03-8023 6622 Fax : 8023 9355
 Email : sales@ebara.com.my
 Website : www.ebara.com.my



Authorised dealer: