



QUALITY Submersible Pump Type DWV

- ✓ **Compact, Light weight**
- ✓ **Easy installation and service.**
- ✓ **Tough and robust design.**
- ✓ **Anti-rust, Anti-corrosion materials used.**
- ✓ **Allow solid passage of 35mm ϕ**

Proudly Imported from **JAPAN**

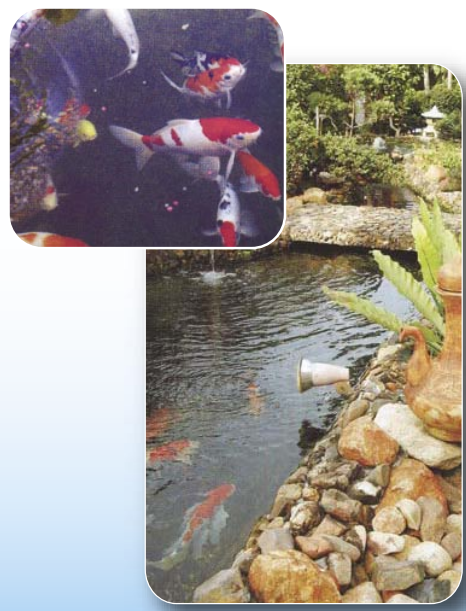


Permit Large Solid Passage of 35mm ϕ

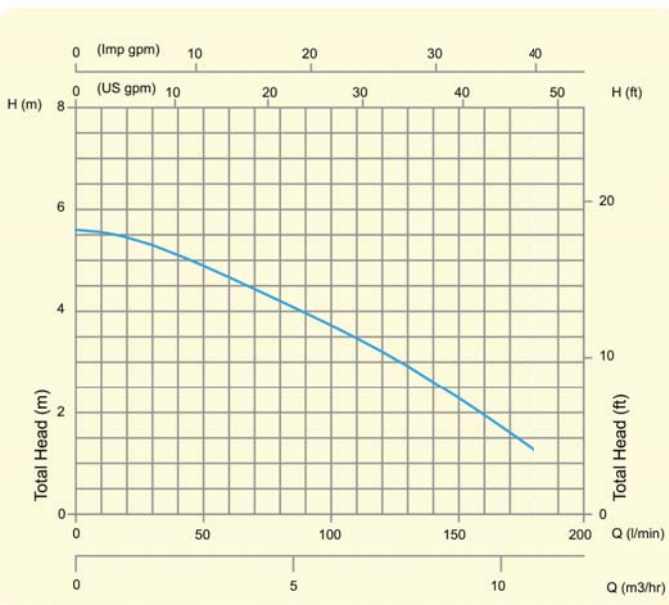


FEATURES / BENEFITS

- **Robust & Tough**
High performance engineering resin PPS being used for pump casing and impeller; thus enhance long operating life of pump.
- **Anti-rust**
As anti-rusting materials are used in contact with liquid, thus ensure maintenance-free operation.
- **Large Solid Passage**
Utilize semi-vortex type of impeller permit max. 35mm ϕ solid passage; therefore non-clog pumping operation is possible.



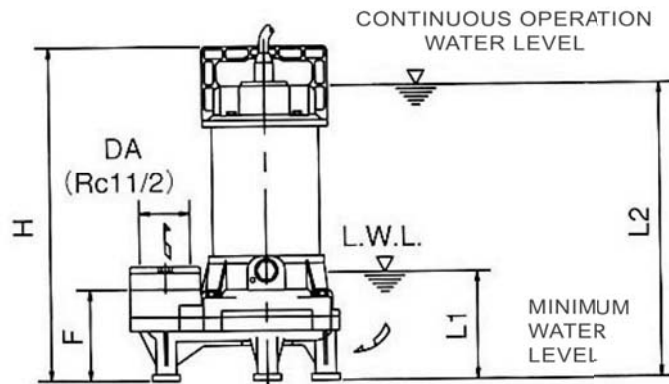
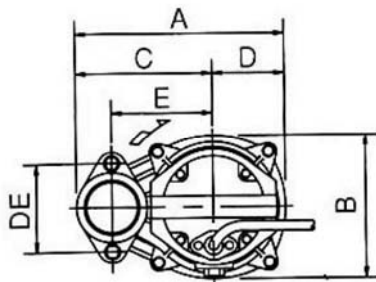
PERFORMANCE CHART



SPECIFICATION

Liquid	Type	Water containing foreign matter
	Max. temperature	40°C
	Max. solids	Max. diameter of Solids 35mm Max. length of fibers 100mm
Max. submergence		4m
Construction	Impeller	Semi-Vortex
	Mechanical seal	Oil lubricated, double mechanical seal
Materials	Casing	PPS
	Impeller	PPS
	Shaft	403 Stainless steel
	Motor Frame	304 Stainless steel
Mechanical seal	Upper Faces: Carbon/Ceramic Lower Faces: Silicon Carbide/Silicon Carbide Lubricating Oil: Turbine Oil VG32 (SAE 10W/20W)	
Motor	Type	Air filled dry submersible, IP68
	Nominal Speed	2900 rpm
	Starting	DOL
	Protection	In built overload protection
	Bearings	Pre lubricated sealed ball bearings
Standard accessories		6m cable 50mm companion flange

DIMENSIONAL TABLE



Diameter (mm)	Pump Model	Power		Dimension (mm)											Weight (kg)
		kW	ph	DA	A	B	C	D	E	F	H	DE	L1	L2	
40	40 (50) DWV 5.15S	0.15	1	Rc1½	210	144	138	72	100	94	386	96	120	343	5.6

*All specifications are subject to change without prior notice.



EBARA Pumps Malaysia Sdn Bhd
 No.6, Jalan TP3, UEP Subang Jaya Industrial Park,
 47620 Subang Jaya, Selangor, Malaysia.
 Tel : 03-8023 6622 Fax : 8023 9355
 Email : sales@ebara.com.my
 Website : www.ebara.com.my



Authorised dealer: