



QUALITY Submersible Pump

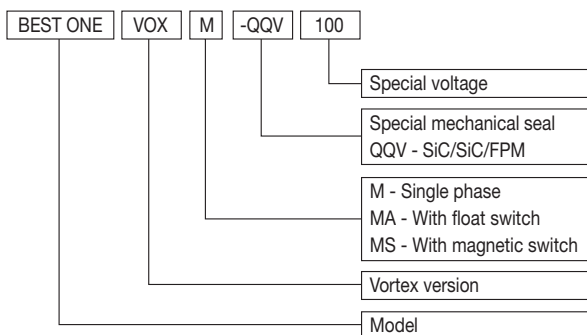
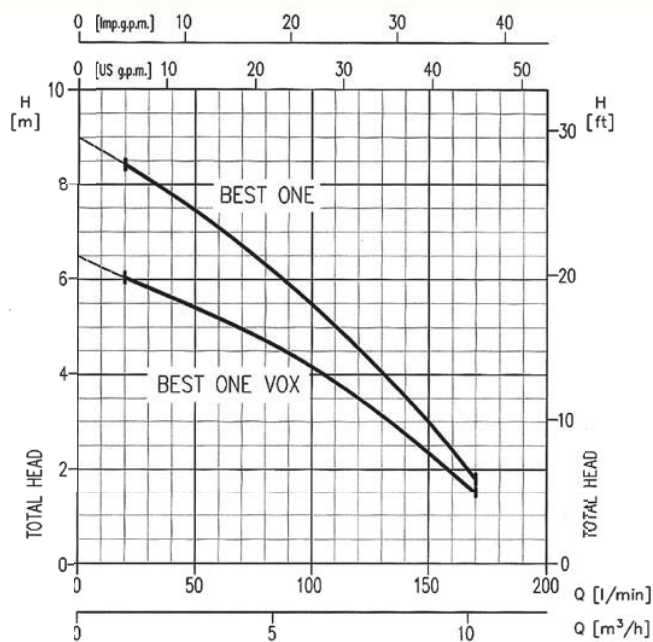
Type **BEST ONE, BEST ONE VOX**



APPLICATIONS

- Dewatering usage
- Draining garages
- Gardens and vegetable gardens irrigation
- Emptying of basements
- Easy emptying of tubs, tanks

PERFORMANCE CHART



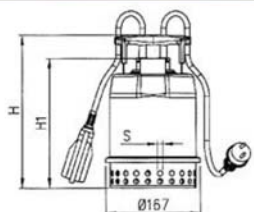
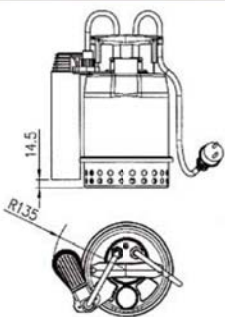
ELECTRICAL DATA

Pumps Type		kW	HP	Capacitor Single Phase		Input [kW]		Full Load Current [A]		Locked Rotor Current		Weight (kg)
Single Phase	Three Phase			μ F	Vl	Single Phase	Three Phase	Single Phase 230V	Three Phase 400V	Single Phase 230V	Three Phase 400V	
Best One M	Best One	0.25	0.33	8	450	0.5	0.5	2.2	1.1	5.6	3.7	4.3
Best One Vox M	Best One Vox	0.25	0.33	8	450	0.5	0.5	2.0	1.0	5.1	3.4	4.4

SPECIFICATION

PUMP		
Liquid Handled	Type of Liquid	Clean Water
	Max temperature [°C]	35 for domestic use 40 for other use
	Max solids size [mm]	10 20 (for vortex version)
Maximum Immersion [m]		5
Construction	Impeller	Semi-open centrifugal type (Best One) Vortex type (Best One Vox)
	Shaft seal type	Oil lubricated mechanical seal + lip seal
	Bearing	Sealed ball bearing
Pipe Connection	Suction	Strainer
	Discharge nozzle [inch]	G1 1/4" : UNI ISO 228
Material	Pump casing	AISI 304
	Impeller	AISI 304
	Shaft seal	Mechanical seal : Carbon / Ceramic / NBR
	- Double seal	Lip seal : NBR
	Casing cover	AISI 304
	Shaft	AISI 303 + AISI 303 ceramic coated shaft sleeve
Lubricating liquid	White Mineral Oil : Esso Marcol 172	
Applicable standard of test		ISO 9906 - Annex A

DIMENSION

BEST ONE / ONE VOX MA	BEST ONE MS	Type Pumps	Dimensions [mm]			Weight [kg]
			H	H1	S	
		BEST ONE	273	231	10	4.3
		BEST ONE M				4.4
		BEST ONE MA				4.6
		BEST ONE MS				4.8
		BEST ONE VOX	304	262	20	4.4
		BEST ONE VOX M				4.5
		BEST ONE VOX MA				4.7

*All specifications are subject to change without prior notice.



EBARA Pumps Malaysia Sdn Bhd
 No.6, Jalan TP3, UEP Subang Jaya Industrial Park,
 47620 Subang Jaya, Selangor, Malaysia.
 Tel : 03-8023 6622 Fax : 8023 9355
 Email : sales@ebara.com.my
 Website : www.ebara.com.my



Authorized dealer: