



QUALITY Automatic Booster Unit COMPACT BOOSTER AM - PT





Model : AM6-PT
0.4kW

FEATURES/BENEFITS

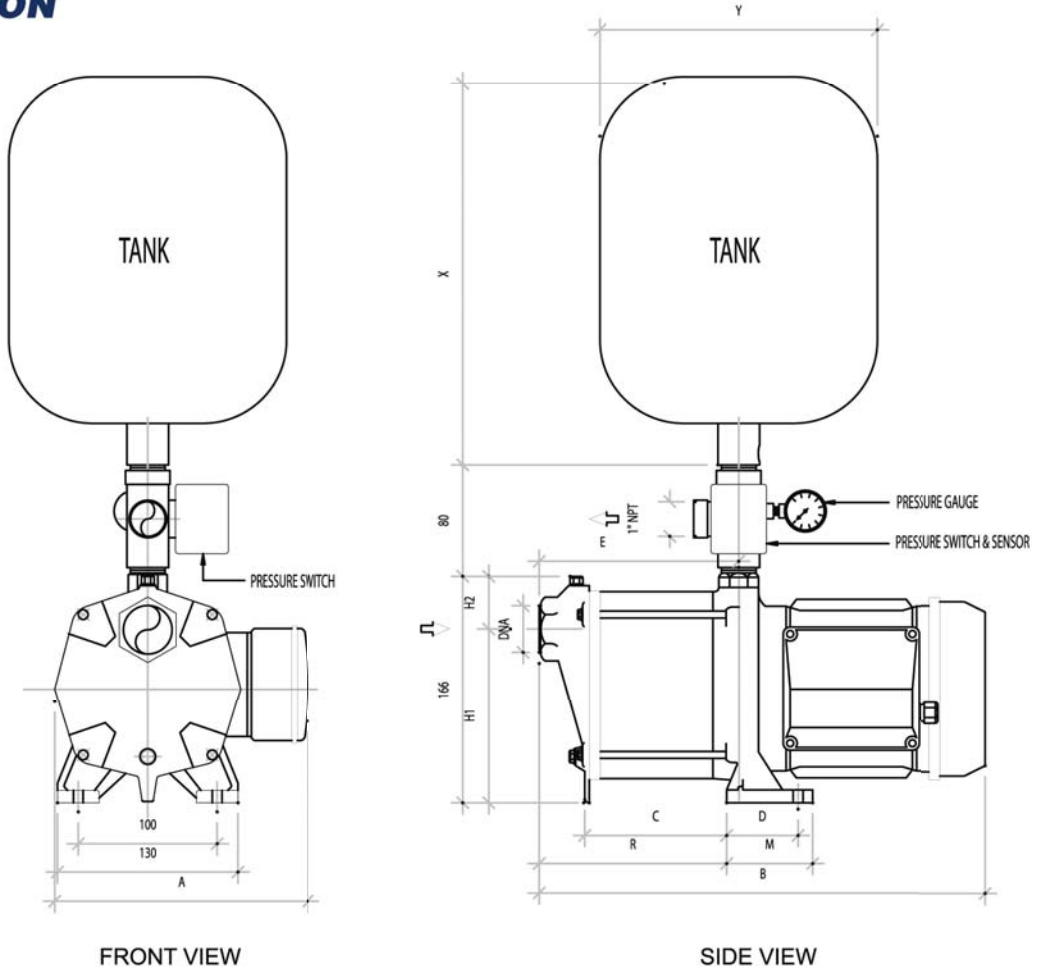
- Fully tested & assembled unit. *Ensure trouble-free operation
- Stainless steel pump set used. *Hygiene and corrosion-free water
- EBARA 1-year warranty on all components used. *More value for money
- Quiet operation. *Good and enjoyable pressure expected
- Nationwide Dealers representation. *After-sale services assurance

World renowned and Japan's No.1 pump manufacturer **EBARA** proudly introduce Compact Booster, your reliable solution for automatic boosting operation that gives you... *peace of mind!*

MODEL	kW	*Application	l/min m ³ /h	20	30	40	50	60	80	Connection
				1.2	1.8	2.4	3	3.6	4.8	
Compact Booster AM 6-PT	0.4		Head in m	30.7	28.2	25.2	21.8	18	9	1" x 1"
Compact Booster AM 8-PT	0.6			39.7	36.1	32	27.4	22.4	10.5	1" x 1"

*For guidance only

DIMENSION



Pumps Type	kW	Dimensions (mm)												DNA
		A	B	C	D	E	H1	H2	M	R	X	Y	Tank (Lit)	
Single Phase		1~												
COMPACT AM 6-PT	0.4	183.5	333.3	108	51.5	146.5	127.5	38.5	62	146.5	317	203	8	1" NPT
COMPACT AM 8-PT	0.6	183.5	359.5	134	51.5	172.5	127.5	38.5	62	172.5	370	275	18	1" NPT



EBARA Pumps Malaysia Sdn Bhd
 No.6, Jalan TP3, UEP Subang Jaya Industrial Park,
 47620 Subang Jaya, Selangor, Malaysia.
 Tel : 03-8023 6622 Fax : 8023 9355
 Email : sales@ebara.com.my
 Website : www.ebara.com.my



Authorized dealer: