



QUALITY Automatic Booster Unit **COMPACT BOOSTER AM - PC**



Model : AM6-PC
0.4kW



Operative Features

COMPACT BOOSTER type AM-PC



- Quiet operation, thanks to EBARA design that makes this possible
- Starts and stops the pump when the tap is opened or closed
- Maintain pressure at a constant level during operation, eliminating hot/cold shower fluctuations
- Shuts off the pump if loss of prime or dry-running occurs
- Ensure your pump system to operate at optimum performance

PC CONTROLLER

PRESSCONTROL (PC) is an electronic device ensuring optimum control of automatic water pressure system.

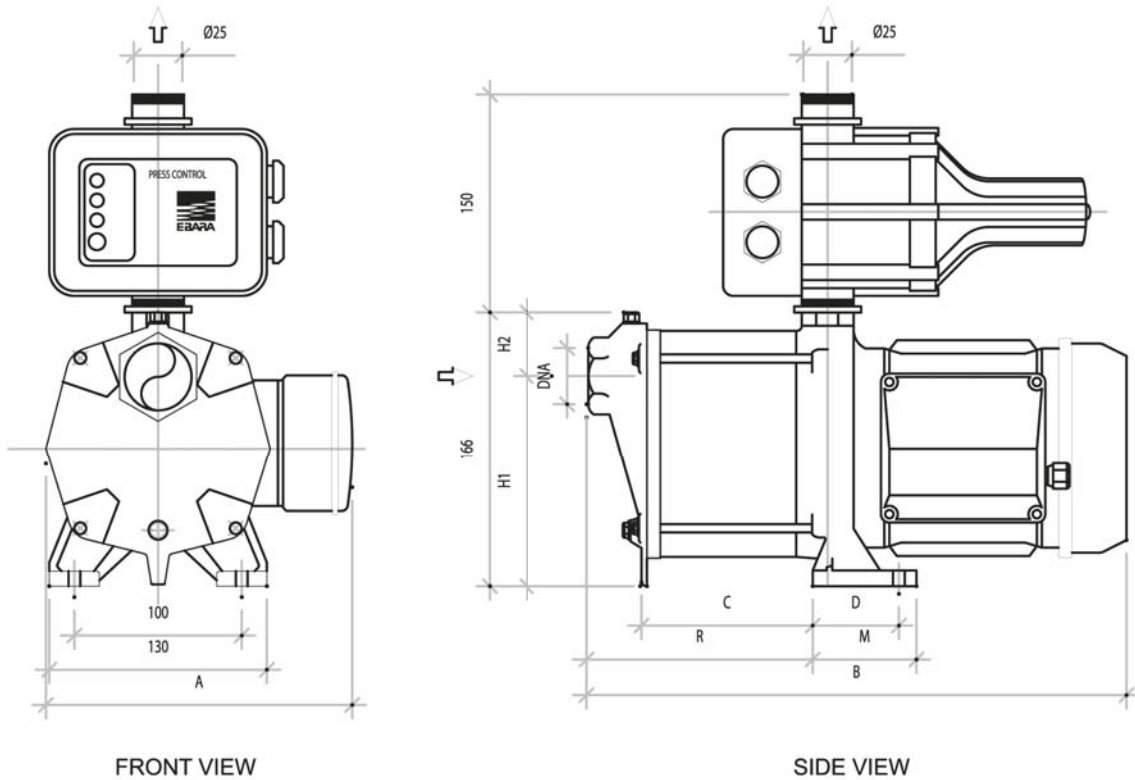
An intelligent combination of hydraulic and electronic know-how, PC controller monitors both pressure and flow and automatically controls the pump efficiently. No pressure tank required and no adjustment of pressure setting is required. Also, any risk of pump damage as a result of dry running is eliminated, as the device will automatically cut-off should the incoming water supply is insufficient.

Much more compact than traditional system, **EBARA COMPACT BOOSTER** type AM-PC is absolutely quiet, durable and simple to install.

MODEL	kW	*Application	l/min m ³ /h	20	30	40	50	60	80	Connection
				1.2	1.8	2.4	3	3.6	4.8	
Compact Booster AM 6-PC	0.4		Head in m	30.7	28.2	25.2	21.8	18	9	1" x 1"
Compact Booster AM 8-PC	0.6			39.7	36.1	32	27.4	22.4	10.5	1" x 1"

*For guidance only

DIMENSION



Pumps Type	kW	Dimensions (mm)									DNA	
		A	B	C	D	E	H1	H2	M	R		
Single Phase		1~										
COMPACT AM 6-PC	0.4	183.5	333.3	108	51.5	146.5	127.5	38.5	62	146.5	1" NPT	
COMPACT AM 8-PC	0.6	183.5	359.5	134	51.5	172.5	127.5	38.5	62	172.5	1" NPT	



EBARA Pumps Malaysia Sdn Bhd
 No.6, Jalan TP3, UEP Subang Jaya Industrial Park,
 47620 Subang Jaya, Selangor, Malaysia.
 Tel : 03-8023 6622 Fax : 8023 9355
 Email : sales@ebara.com.my
 Website : www.ebara.com.my



Authorised dealer: